



## SOLAR PHOTOVOLTAIC MODULES

### Aditi's Photovoltaic Modules

- ★ High efficiency, Mono or Multi crystalline solar cells with high transmission and textured glass delivering a module series efficiency of up to 14.3%, minimizing installation costs and maximizing the kWh output of your system per unit area.
- ★ High quality, low iron, high transmissivity, tempered and toughened glass to ensure high light absorption.
- ★ Tin Copper interconnect increases Solderability and Conductivity. This also results in maximum output efficiency from the Module.
- ★ Premium quality encapsulation material ensuring high quality lamination leading to better performance.
- ★ Polyster tedlar used as a back sheet prevents from moisture and mechanical damage.
- ★ Weather resistant frame - seal helps preventing water seepage and protects the system from humidity.
- ★ Anodized Aluminum frame gives the system strong, corrosion-free structural support.
- ★ Produced in an ISO 9001:2008 & 14001:2004 certified production facilities.
- ★ Certifications: IEC 61215, IEC 61730-1&2, IEC 61701.
- ★ Warranty,
  - a) 90% of the rated power is guaranteed for a period of 10 years.
  - b) 80% of the rated power is guaranteed for a period of 25 years.



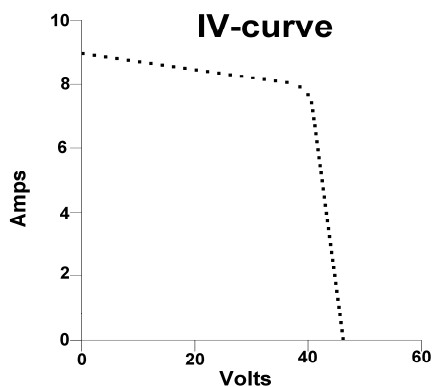
#### Model No: ADT24335

#### Electrical Specifications:

Product Description	<b>24V - 335WP</b>
Rated POWER <b>Pmax - [W]</b>	<b>335.00</b>
Rated Voltage <b>Vmax - [V]</b>	<b>36.70</b>
Rated Current <b>I<sub>max</sub> - [A]</b>	<b>9.13</b>
Open Circuit Voltage <b>V<sub>oc</sub> - [V]</b>	<b>45.80</b>
Short Circuit Current <b>I<sub>sc</sub> - [A]</b>	<b>9.50</b>
Module Efficiency <b>η - [%]</b>	<b>17.27</b>
Tolerance	<b>Positive</b>

Standard Test Conditions: Irradiance 1000 W/ m<sup>2</sup>, Cell temperature of 25°C, Spectrum AM 1.5

#### Module IV-Curve:



#### Temperature Coefficients

Voltage V <sub>oc</sub>	: -0.33%/C
Current I <sub>sc</sub>	: 0.06%/C
Power P <sub>max</sub>	: -0.40%/C

Maximum system voltage	: 1000 V DC
Operating Module Temperature	: -40°C to +85°C
NOCT	: 47°C ± 2°C

#### Certifications

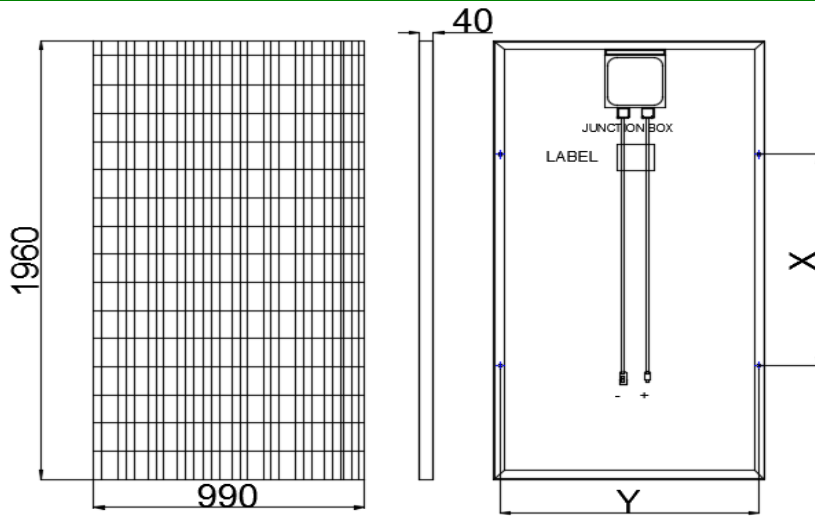


IS 14286 : 2010/IEC 61215 : 2005,  
IS/IEC 61730 (PART 1) : 2004 &  
IS/IEC 61730 (PART 2) : 2004



R-63000779  
www.bis.gov.in

### Module Drawing & Mounting details:



### Mechanical Specifications:

Length [mm]	1960 ± 2
Width [mm]	990 ± 2
Thickness [mm]	40
X [mm]	1175 ± 2
Y [mm]	950 ± 2
Mounting hole	10x7 mm slot
Earth hole	5mm dia
Drain hole	5mm dia
Aprox. weight [Kg]	22.00
No. of cells	72

### Other Characteristics:

Cell type	Poly crystalline Silicon(156.75mmX156.75mm),5BB,PID free
Front Glass	High transmission, AR Coated Tempered Glass
Glass thickness	3.2 mm
Cell Encapsulation	Ultra-clear PID free EVA (Ethylene Vinyl Acetate)
Back sheet	UV protected reflective back sheet
Frame	Silver Anodized, Aluminum Alloy
Junction Box	IP67 Certified,4-rail,3diodes junction box

Due to continuous upgradation of products, specifications mentioned are subject to change without prior notice.



**Aditi Solar**  
Plot No: 17, ALEAP INDUSTRIAL ESTATE, GAJULARAMARAM, QUTHBULLAPUR MANDAL  
MEDCHAL DISTRICT, HYDERABAD Pin Code No. 500055. TELENGANA – INDIA  
TEL:+91-40-2004 0285 MOB: +91-8978854777 / 555 WEBSITE: [www.aditisolar.in](http://www.aditisolar.in)  
EMAIL: [marketing@aditisolar.in](mailto:marketing@aditisolar.in), [spvprojects@aditisolar.in](mailto:spvprojects@aditisolar.in)